

# ECOUSTIC® MATRIX CEILING TILE



*unika vaev*  
INSTYLE

Hear yourself think®

# ECOUSTIC® COLORS



AQUA



AUBERGINE



BALTIC



BERRY



CAMEO



CAPER



CHARCOAL



COBALT



CREAM



DOVE



FIELD



FOSSIL



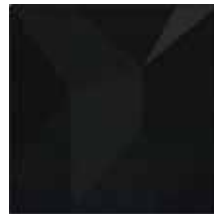
FRESCO



GREEN



INDIGO



JET



LEMON



LIGHT GREY



LIME



NATURAL



NAUTICAL



OATMEAL



OPAL



ORANGE



OYSTER



PAPRIKA



PEWTER



QUARTZ



RED



SKY



SPRAY



TAUPE



WHITE

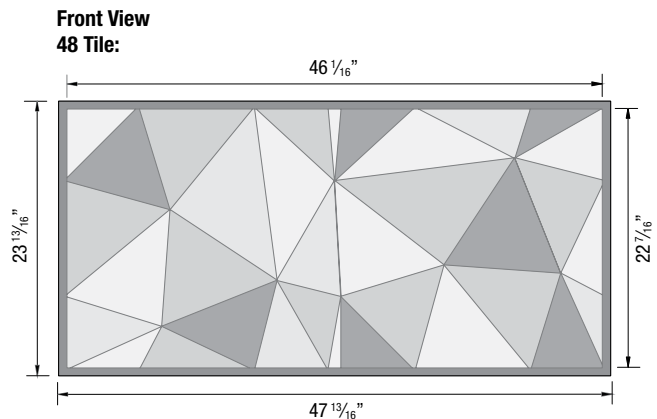
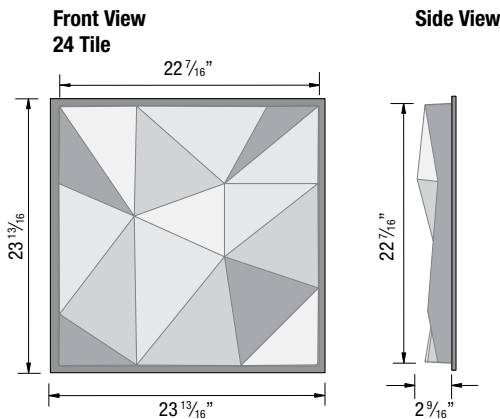


YELLOW

Patterns shown are not to scale  
Product may vary in color due to the nature of the media  
Please refer to website for current color range

**ecoustic**® global leaders  
by INSTYLE in acoustic  
products

# ECOUSTIC® MATRIX CEILING TILE



**CONTENT** 100% PET (up to 32.5% recycled content)

**DIMENSIONS**

24 Tile- 23 13/16" x 23 13/16" x 2 9/16"  
(605mm x 605mm x 65mm)

48 Tile- 47 13/16" x 23 13/16" x 2 9/16"  
(1215mm x 605mm x 65mm)

Drops into existing T-Frame suspended ceiling systems with a nominal 24" x 24" or 48" x 24" grid.

**APPLICATION** Ceiling

**FIRE RATINGS**

ASTM E84 Class A  
AS/ISO 9705 Group 1 SMOGRA <100  
GB 8624  
ISO 5660.1

**ACOUSTIC** NRC 0.75



**PLEASE NOTE** It is the responsibility of site installation managers to confirm compatibility between the ceiling grid system specified and the dimensions of ecoustic® ceiling tiles prior to placement of purchase order. Custom sized ecoustic® ceiling tiles can be produced, however, conditions do apply. Please contact Unika Vaev customer service or your local sales representative for more information.

## Designed for the Environment:

ecoustic® Matrix Ceiling tile is based on low energy manufacturing and made from 100% polyester with up to 32.5% recycled content. Matrix Ceiling tile has been designed with all components able to be fixed without the use of glues and adhesives. Matrix Ceiling tile is recyclable.

- Mindful MATERIALS
- Cal 01350 Compliant
- Low-VOC
- Declare CDHP Emissions Compliant
- HHI Compliant
- Global Greentag
- HPD

## Drop Ceiling:

Compatible with 9/16" and 15/16" exposed tee grid systems in slim and standard profiles.

## Building Rating Systems:

Matrix will contribute the following points for Green Star, LEED and WELL building standards.

Criteria	Green Star	LEED	WELL
Recycled content	yes	yes	no
Low-VOC	yes	yes	yes
Recycling Program	yes	yes	no
EPD	yes	yes	no
3rd Party Greentag Level A Certification	yes	yes	yes
Toxic Material Reduction	no	no	yes



# ECOUSTIC® MATRIX CEILING TILE

**Moisture Absorption:** Exposure to an atmosphere of 50% and 95% RH for four days provides moisture absorption of less than 0.2% per volume. As Ceiling Matrix is 100% polyester, it will not degrade over time due to moisture, mildew or rot in office environments.

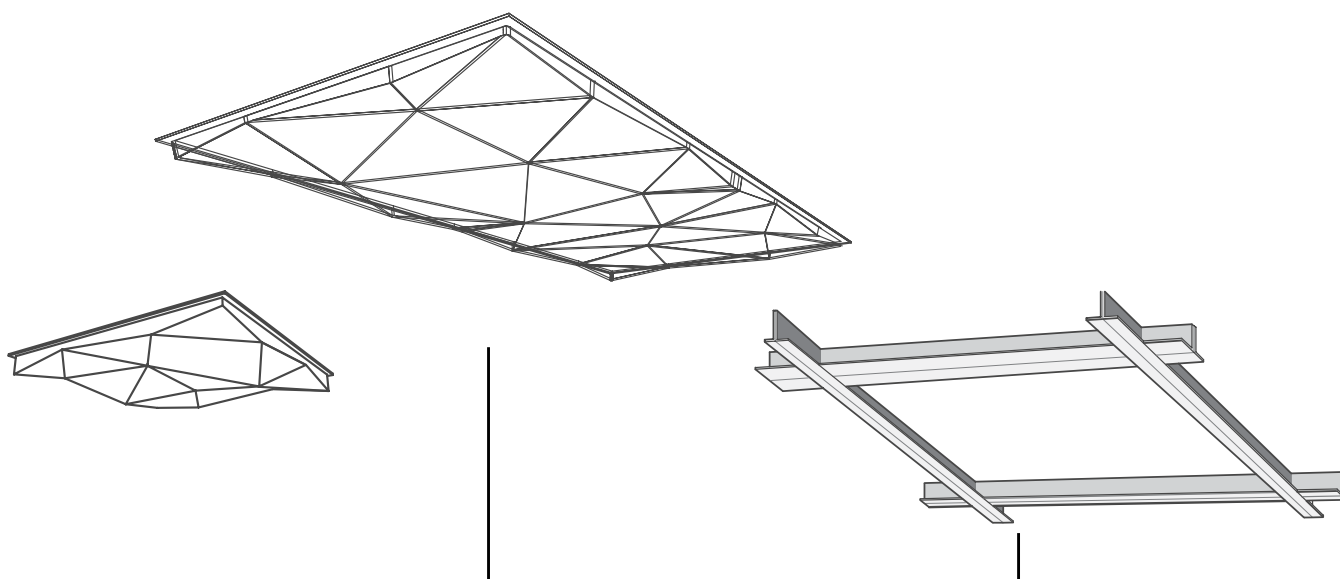
**Fixtures:** Any fixtures must be supported independent to the ecoustic® Matrix Ceiling tile. ecoustic® Matrix Ceiling tile can be cut on site to accommodate for new and existing lighting and fixtures. When cutting use a new blade for each cut and ensure the area to be cut is fully supported throughout. Cut from the tile face with care.

**HVAC:** Ensure ecoustic® Matrix Ceiling tile is compliant with the specified HVAC system. ecoustic® Matrix Ceiling tile is recommended for Ducted Return Air and is not Plenum Return air rated.

**Back Loading:** ecoustic® Matrix Ceiling tile is not suitable for back loading. Loads must be supported independently by the grid or through the use of additional fixtures.

**Toxicity:** Polyester is nontoxic and is classed the same as wood under the state of New York article 15 Part 1120. ecoustic® Matrix Ceiling tile does not contain any Red list chemicals (USA EPA).

## ECOUSTIC® MATRIX CEILING COMPONENTS



ecoustic® Matrix Ceiling Tile  
100% polyester (up to 32.5% recycled content)  
8 tiles per box in a single color

Drop Ceiling Frame  
15mm + 24mm Exposed Tee grid system  
(Not supplied)

# ECOUSTIC® MATRIX COFFERED CEILING TILE

**Moisture Absorption:** Exposure to an atmosphere of 50% and 95% RH for four days provides moisture absorption of less than 0.2% per volume. As Ceiling Matrix is 100% polyester, it will not degrade over time due to moisture, mildew or rot in office environments.

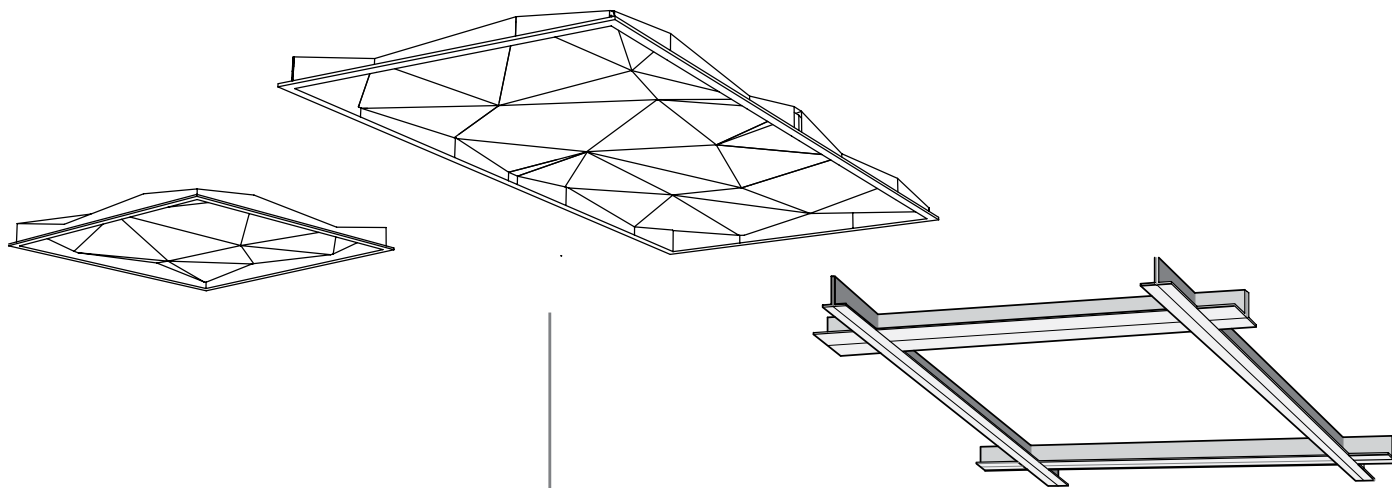
**Fixtures:** Any fixtures must be supported independent to the ecoustic® Matrix Ceiling tile. ecoustic® Matrix Ceiling tile can be cut on site to accommodate for new and existing lighting and fixtures. When cutting use a new blade for each cut and ensure the area to be cut is fully supported throughout. Cut from the tile face with care.

**HVAC:** Ensure ecoustic® Matrix Ceiling tile is compliant with the specified HVAC system. ecoustic® Matrix Ceiling tile is recommended for Ducted Return Air and is not Plenum Return air rated.

**Back Loading:** ecoustic® Matrix Ceiling tile is not suitable for back loading. Loads must be supported independently by the grid or through the use of additional fixtures.

**Toxicity:** Polyester is nontoxic and is classed the same as wood under the state of New York article 15 Part 1120. ecoustic® Matrix Ceiling tile does not contain any Red list chemicals (USA EPA).

## ECOUSTIC® MATRIX COFFERED CEILING COMPONENTS



ecoustic® Matrix Coffered Ceiling Tile  
100% polyester (up to 32.5% recycled content)  
8 tiles per box in a single color

Drop Ceiling Frame  
15mm + 24mm Exposed Tee grid system  
(Not supplied)