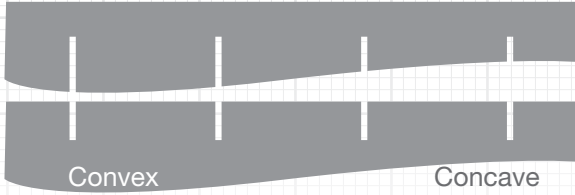


NOTE: HANDLE FINS WITH CARE DURING ASSEMBLY. ONCE ASSEMBLED THE STRUCTURE HAS INTEGRITY, HOWEVER INDIVIDUAL FINS ARE MORE SUSCEPTIBLE TO DAMAGE SUCH AS BENDING.



Each Arbor Kit Contains:

- (4) Top Fins (slots on bottom)
- (4) Bottom Fins (slots on top)
- Two of the Bottom Fins have hanging studs mounted. These fins are to be positioned in the first slot from each side of the Top Fin.
- (4) Hanging Hardware connections (see Hanging Hardware Instructions)

The Fin shape and Slot spacing are parametric which allow for several arrangements depending on the designers point-of-view.

In-Line



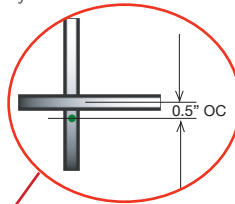
Alternating



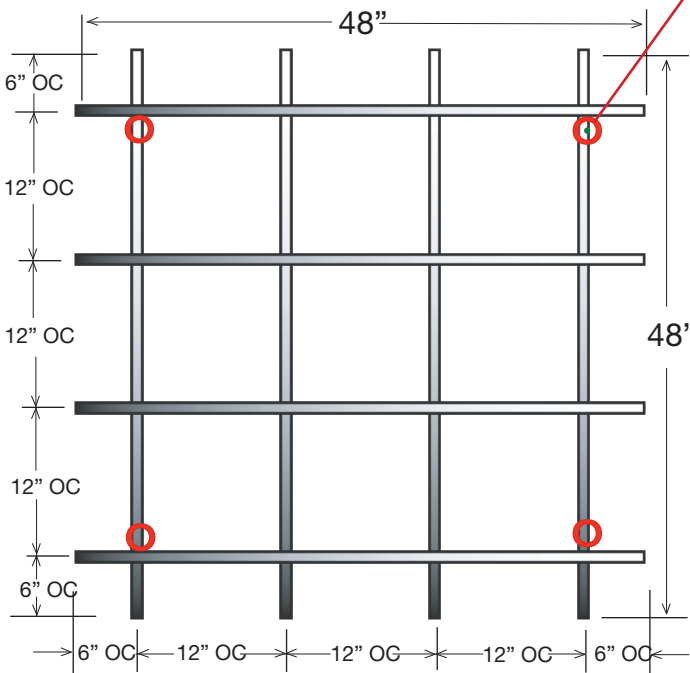
Every other fin can alternate or in groups

Two Examples:

LEGEND



Diagonal (convex all to one corner)



Basket Weave (convex and concave alternate)

