

ECOUSTIC® TORQUE CEILING TILE



unika vaev
INSTYLE

Hear yourself think®

ECOUSTIC® COLORS



AQUA



AUBERGINE



BALTIC



BERRY



CAMEO



CAPER



CHARCOAL



COBALT



CREAM



DOVE



FIELD



FOSSIL



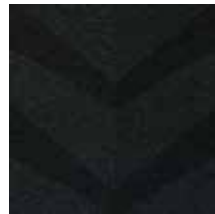
FRESCO



GREEN



INDIGO



JET



LEMON



LIGHT GREY



LIME



NATURAL



NAUTICAL



OATMEAL



OPAL



ORANGE



OYSTER



PAPRIKA



PEWTER



QUARTZ



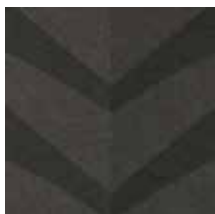
RED



SKY



SPRAY



TAUPE



WHITE



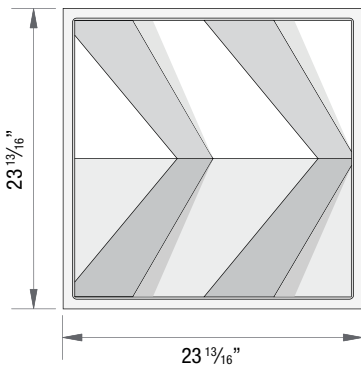
YELLOW

Patterns shown are not to scale
 Product may vary in color due to the nature of the media
 Please refer to website for current color range

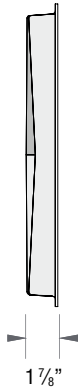
ecoustic® global leaders
 by INSTYLE in acoustic
 products

ECOUSTIC® TORQUE CEILING TILE

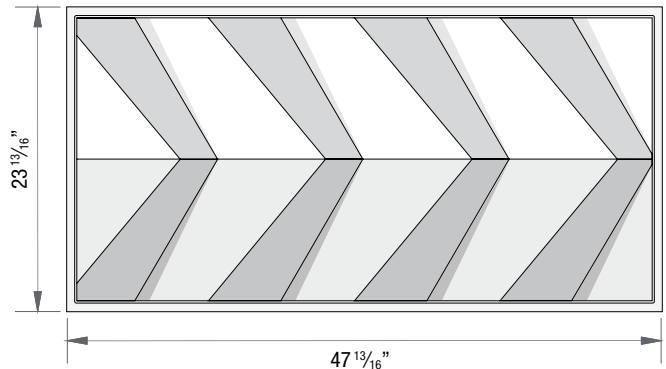
Front View
24 Tile



Side View



Front View
48 Tile:



CONTENT

100% PET (up to 32.5% recycled content)

DIMENSIONS

24 Tile- 23 13/16" (w) x 23 13/16" (h) x 1 7/8" (d)
(605mm x 605mm x 48mm)

48 Tile- 47 13/16" (w) x 23 13/16" (h) x 1 7/8" (d)
(1215mm x 605mm x 48mm)

Drops into existing T-Frame suspended ceiling systems with a nominal 24" x 24" or 48" x 24" grid.

APPLICATION

Ceiling

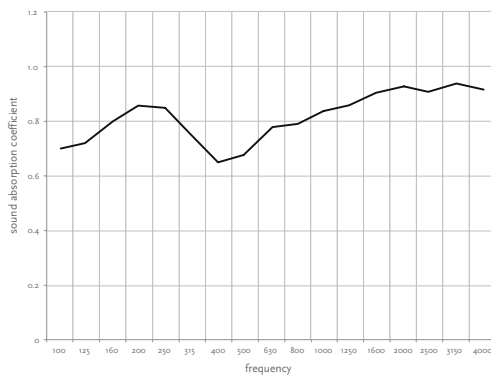
FIRE RATINGS

AS/ISO 9705
GB 8624
1S05660.1

Group 1 SMOGRA <100

ACOUSTIC

NRC 0.80



PLEASE NOTE

It is the responsibility of site installation managers to confirm compatibility between the ceiling grid system specified and the dimensions of ecoustic® ceiling tiles prior to placement of purchase order. Custom sized ecoustic® ceiling tiles can be produced, however, conditions do apply. Please contact Unika Vaev customer service or your local sales representative for more information.

Moisture Absorption: exposure to an atmosphere of 50% and 95% RH for four days provides moisture absorption of less than 0.2% per volume. As ecoustic® Torque Ceiling tile is 100% polyester, it will not degrade over time due to moisture, mildew or rot in office environments.

Fixtures: Any fixtures must be supported independent to the ecoustic® Torque Ceiling tile. ecoustic® Torque Ceiling tile can be cut on site to accommodate for new and existing lighting and fixtures. When cutting use a new blade for each cut and ensure the area to be cut is fully supported throughout. Cut from the tile face with care.

HVAC: Ensure ecoustic® Torque Ceiling tile is compliant with the specified HVAC system. ecoustic® Torque Ceiling tile is recommended for Ducted Return Air and is not Plenum Return air rated.

Back Loading: ecoustic® Torque Ceiling tile is not suitable for back loading. Loads must be supported independently by the grid or through the use of additional fixtures.

Toxicity: Polyester is non-toxic and is classed the same as wood under the state of New York article 15 Part 1120. ecoustic® Torque Ceiling tile does not contain any Red list chemicals (USA EPA).

Environment:

- Mindful MATERIALS
- Cal 01350 Compliant
- Low-VOC
- Declare CDHP Emissions Compliant
- HHI Compliant
- Global Greentag
- Contributes to LEED
- HPD



ECOUSTIC® TORQUE CEILING TILE

Moisture Absorption: Exposure to an atmosphere of 50% and 95% RH for four days provides moisture absorption of less than 0.2% per volume. As Ceiling Matrix is 100% polyester, it will not degrade over time due to moisture, mildew or rot in office environments.

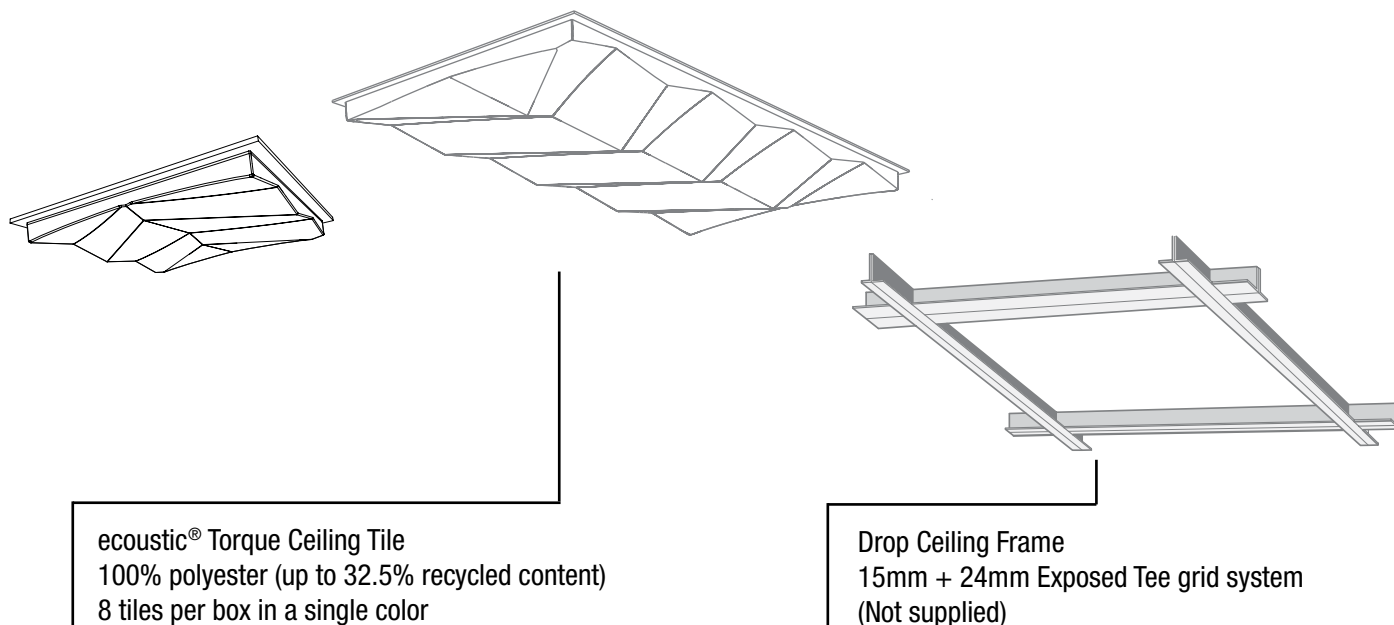
Fixtures: Any fixtures must be supported independent to the ecoustic® Matrix Ceiling tile. ecoustic® Matrix Ceiling tile can be cut on site to accommodate for new and existing lighting and fixtures. When cutting use a new blade for each cut and ensure the area to be cut is fully supported throughout. Cut from the tile face with care.

HVAC: Ensure ecoustic® Matrix Ceiling tile is compliant with the specified HVAC system. ecoustic® Matrix Ceiling tile is recommended for Ducted Return Air and is not Plenum Return air rated.

Back Loading: ecoustic® Matrix Ceiling tile is not suitable for back loading. Loads must be supported independently by the grid or through the use of additional fixtures.

Toxicity: Polyester is nontoxic and is classed the same as wood under the state of New York article 15 Part 1120. ecoustic® Matrix Ceiling tile does not contain any Red list chemicals (USA EPA).

ECOUSTIC® TORQUE CEILING COMPONENTS



ECOUSTIC® TORQUE CEILING TILE

Moisture Absorption: Exposure to an atmosphere of 50% and 95% RH for four days provides moisture absorption of less than 0.2% per volume. As Ceiling Matrix is 100% polyester, it will not degrade over time due to moisture, mildew or rot in office environments.

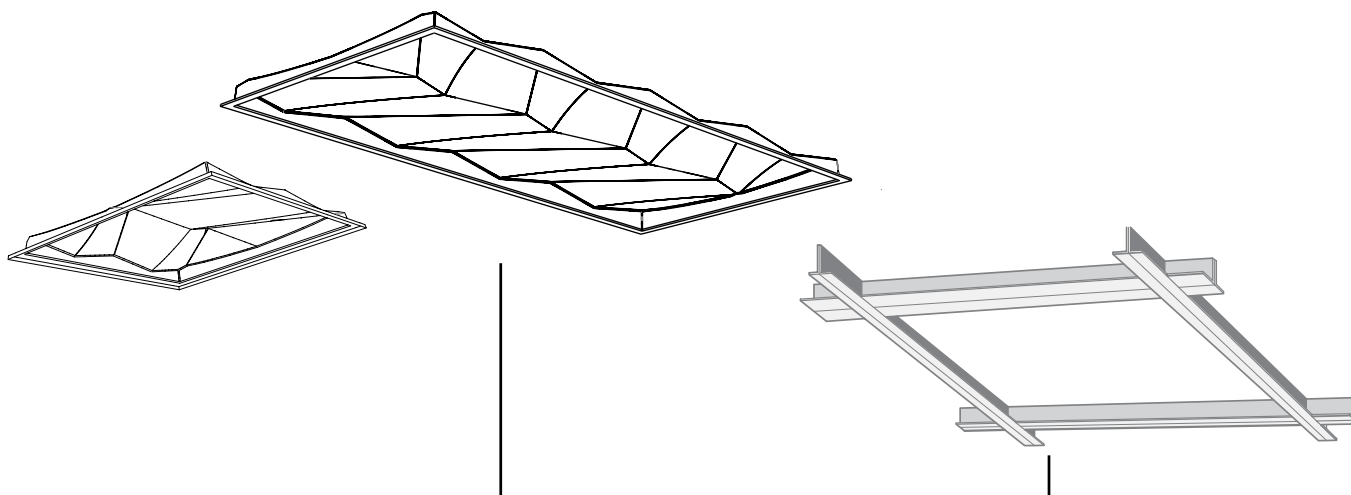
Fixtures: Any fixtures must be supported independent to the ecoustic® Matrix Ceiling tile. ecoustic® Matrix Ceiling tile can be cut on site to accommodate for new and existing lighting and fixtures. When cutting use a new blade for each cut and ensure the area to be cut is fully supported throughout. Cut from the tile face with care.

HVAC: Ensure ecoustic® Matrix Ceiling tile is compliant with the specified HVAC system. ecoustic® Matrix Ceiling tile is recommended for Ducted Return Air and is not Plenum Return air rated.

Back Loading: ecoustic® Matrix Ceiling tile is not suitable for back loading. Loads must be supported independently by the grid or through the use of additional fixtures.

Toxicity: Polyester is nontoxic and is classed the same as wood under the state of New York article 15 Part 1120. ecoustic® Matrix Ceiling tile does not contain any Red list chemicals (USA EPA).

ECOUSTIC® TORQUE COFFERED COMPONENTS



ecoustic® Torque Coffered Ceiling Tile
100% polyester (up to 32.5% recycled content)
8 tiles per box in a single color

Drop Ceiling Frame
15mm + 24mm Exposed Tee grid system
(Not supplied)