

Included in this kit:

- A** Complete Grid - fully assembled
 - proprietary extrusions
 - joining hardware (metal pins)
 - finished end caps
 - baffle spacing inserts
 - 1/4 - 20 nuts for ceiling attachment

ScreenTrak™ Rail

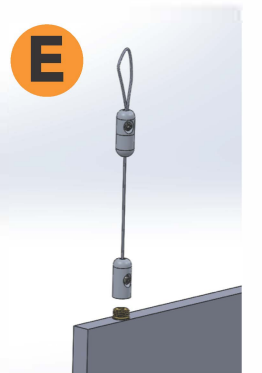
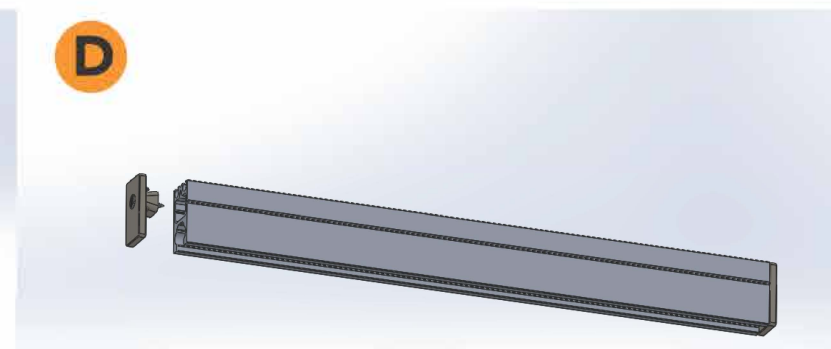
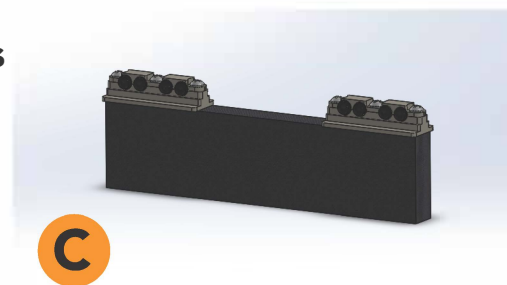
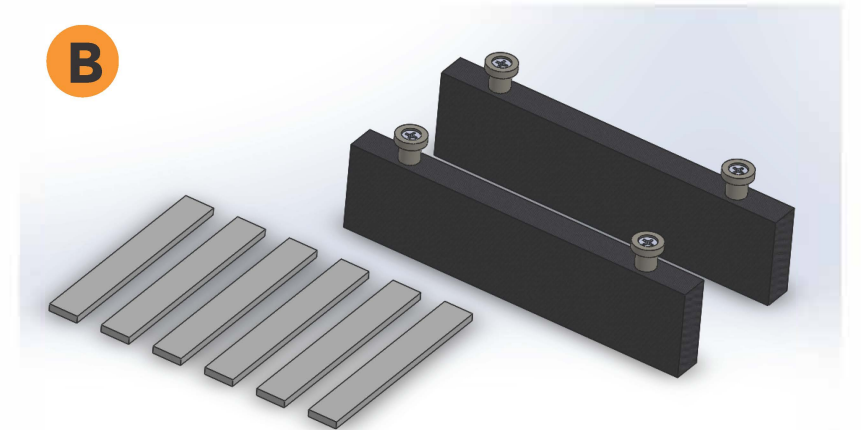
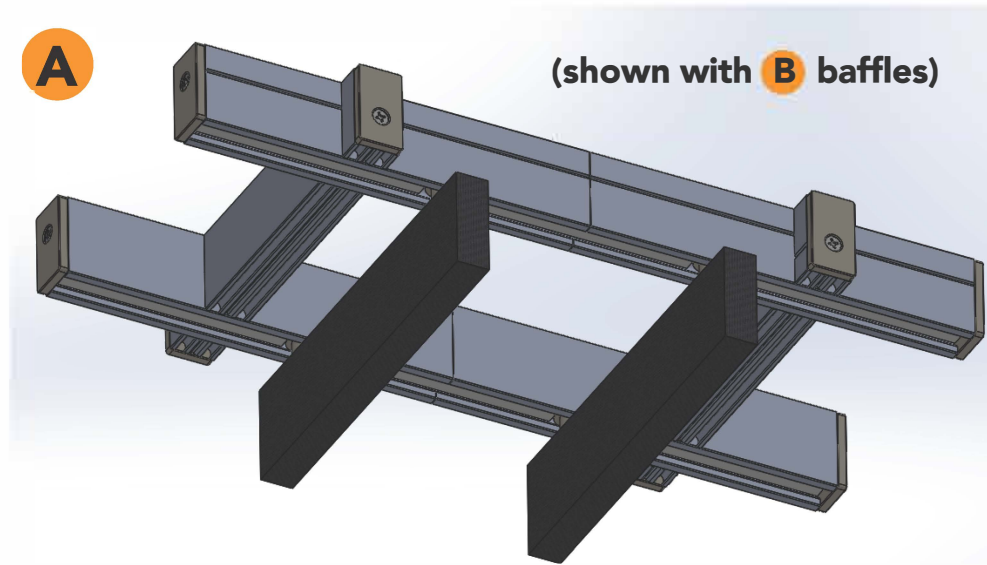
- removable end cap

- B** (2) example baffles with "mushroom" glides and spacing inserts (to be used with these baffles)

- C** (1) example acoustic material with ScreenTrak™ rolling glides

- D** (1) example Screen Trak™ rail with end caps

- E** (1) example baffle with stationary hanging hardware



Purpose of Sample Kit is to demonstrate the following:

- utilization of grid to hang baffles
- show method of hanging Suspension Grid to ceiling
- demonstrate how to use baffle spacing inserts and the ability to make custom sizes
- show ScreenTrak™ rolling glides and how they work (insert **C** into **D**)
- show stationary hanging hardware for Baffles, Screens and Arbors