

Lily Installation + Care Guide



unika vaev
abstracta

Lily

Assembly Instructions

Included Components:



Lily (1x)



Ceiling bracket (1x)
(T24 profile)



Roof bracket (1x)



Gripper (1x)



Nut M4 (1x)

Recommended dim drivers:

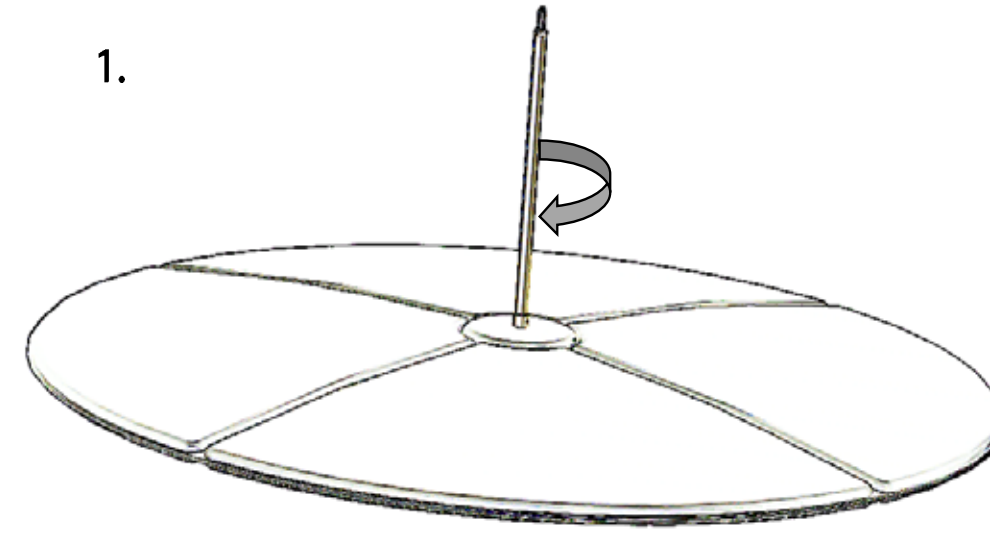
- Elko
 - 315GLE
 - 630GLE
- Schneider
 - SBD315RC
 - SBD630RC

unika vaev
abstracta

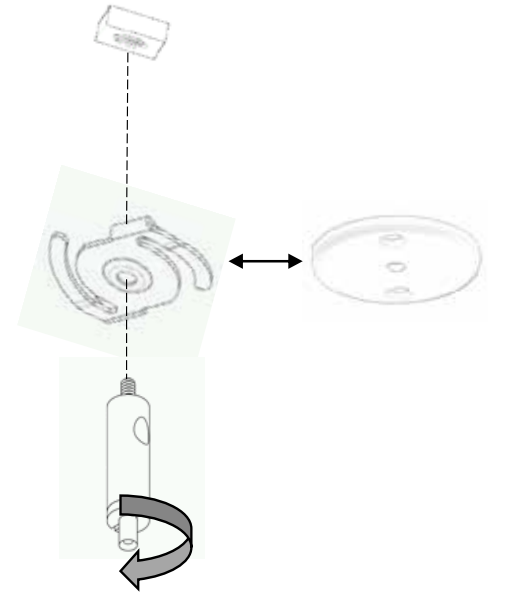
Lily

Assembly Instructions

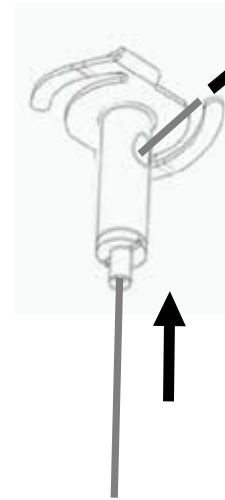
1.



2.



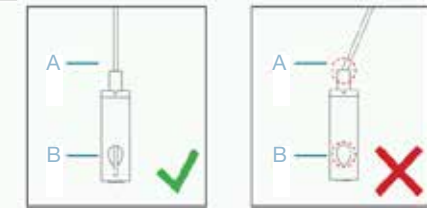
3.



A Insert the wire into the gripper. Always insert the wire through the pin unless otherwise stated.

B Adjust the gripper up. when you let go of the gripper it will automatically lock itself on the wire.

C Press the pin and adjust down. When you press the pin the lock opens and the gripper slides on the wire. Release pin to lock again.



A Direction of wire and gripper must be in straight line

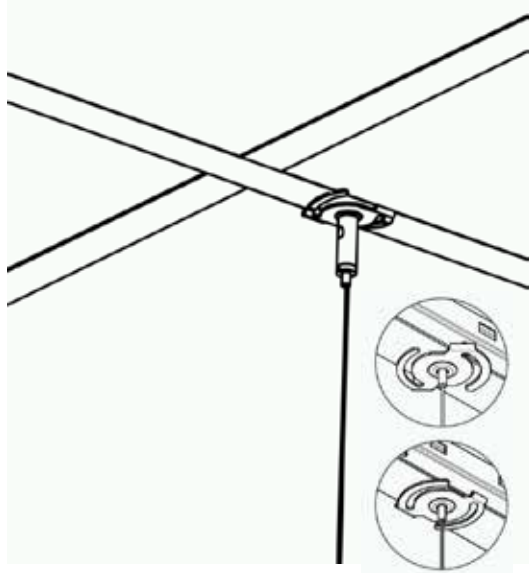
B The wire must be inserted all the way through the gripper and protrude at least 0.2" from the bottom.

unika vaev
abstracta

Lily

Assembly Instructions

4.



5.

Only 120V input



For questions, please contact Unika Vaev customer service
customerservice@unikavaev.com
800-237-1625
unikavaev.com

unika vaev

abstracta

Lily

Care Instructions

To maintain the color and appearance of the Lily, the product should be vacuum cleaned regularly with a soft nozzle.

Stain removal, dab or wipe gently with a damp cloth.

unika vaev

abstracta