

# Scala Ceiling Assembly

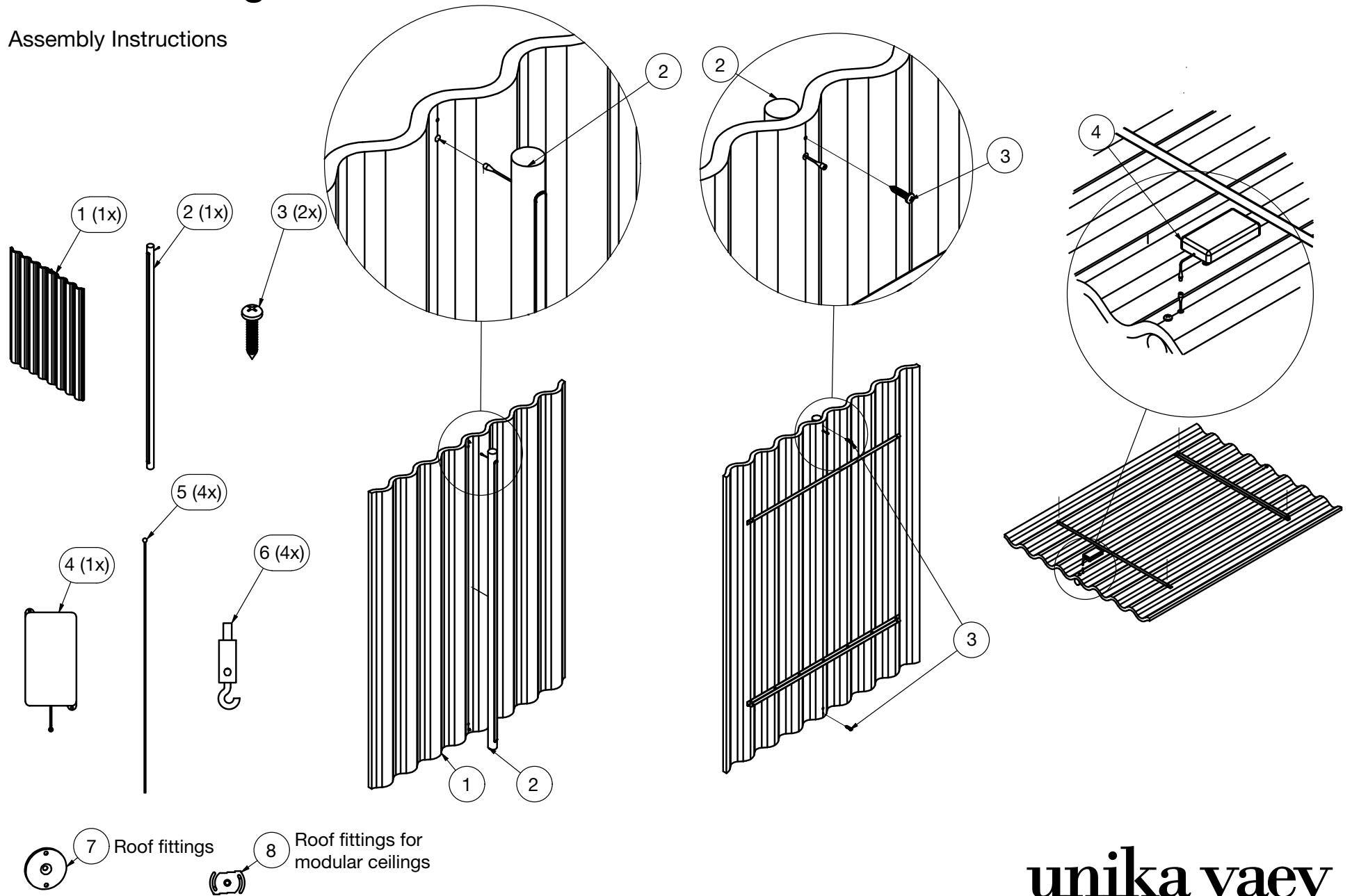


scala-ceiling-install-11-20-19

unika vaev  
abstracta

# Scala Ceiling

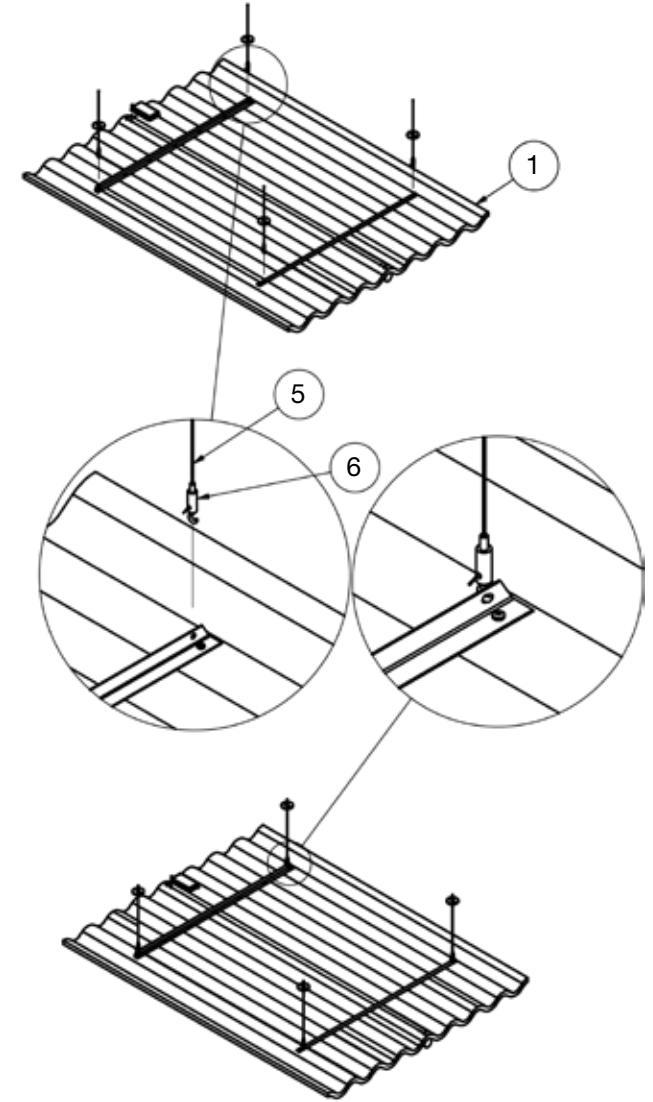
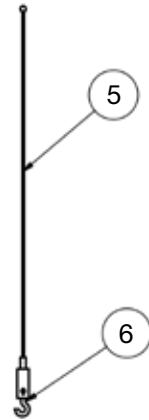
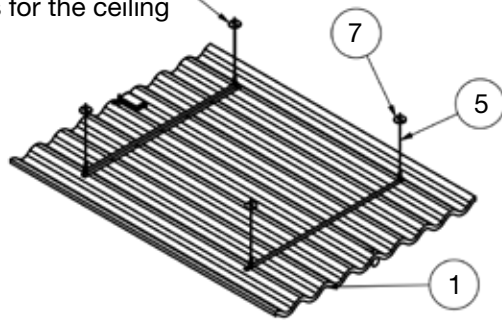
## Assembly Instructions



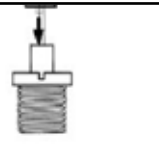
# Scala Ceiling

## Assembly Instructions

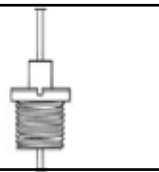
Use appropriate screws and fittings for the ceiling



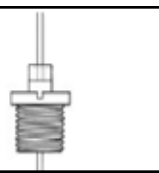
A Insert the wire into the gripper. Always insert the wire through the pin unless otherwise stated.



B Adjust the gripper up. when you let go of the gripper it will automatically lock itself on the wire.

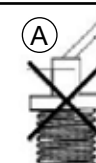
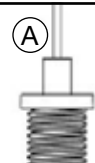


C Press the pin and adjust down. When you press the pin the lock opens and the gripper slides on the wire. Release pin to lock again.



A Direction of wire and gripper must be in straight line

B The wire must be inserted all the way through the gripper and protrude at least 0.2" from the bottom.



**Please Note:** The suspension wires should be straight, not angled.