

# ScreenTrak® Installation + Care



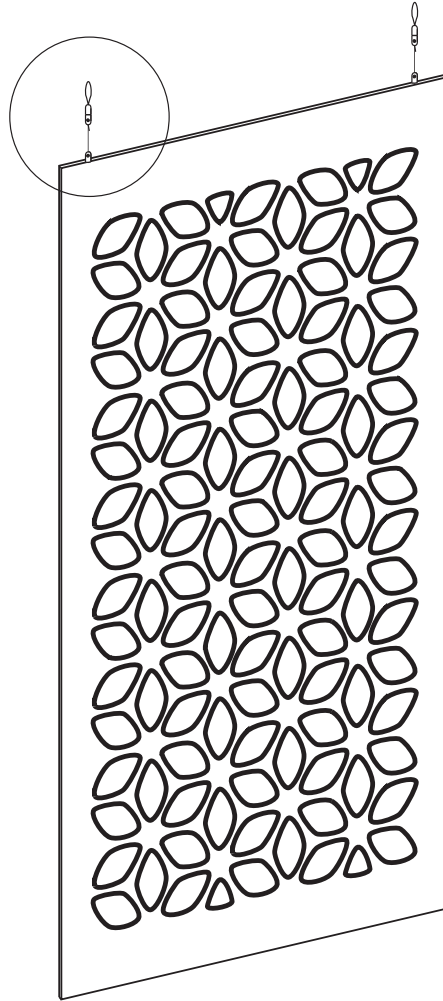
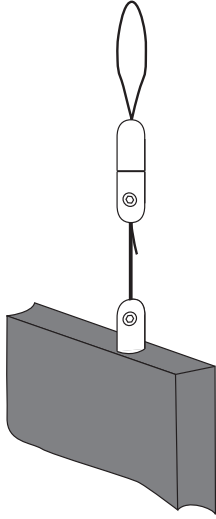
*unika vaev*

design studio

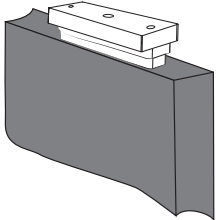
Hear yourself think®

# ScreenTrak® - Installation Instructions

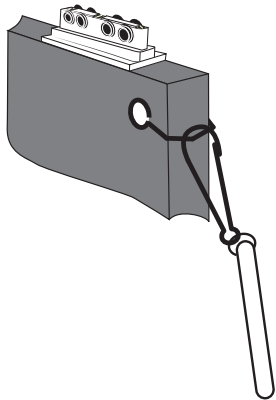
To be used with any available ceiling fastener. Intended to remain stationary after installation.



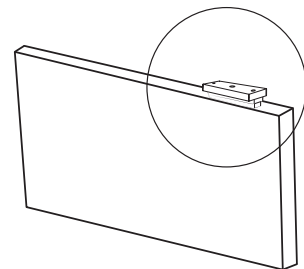
To be used with Unika Vaev ScreenTrak® Rails. Intended to remain stationary after installation.



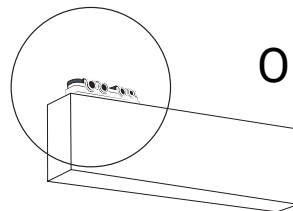
To be used with Unika Vaev ScreenTrak® Rails. Intended for limited movement by use of the attached wand after installation.



OR

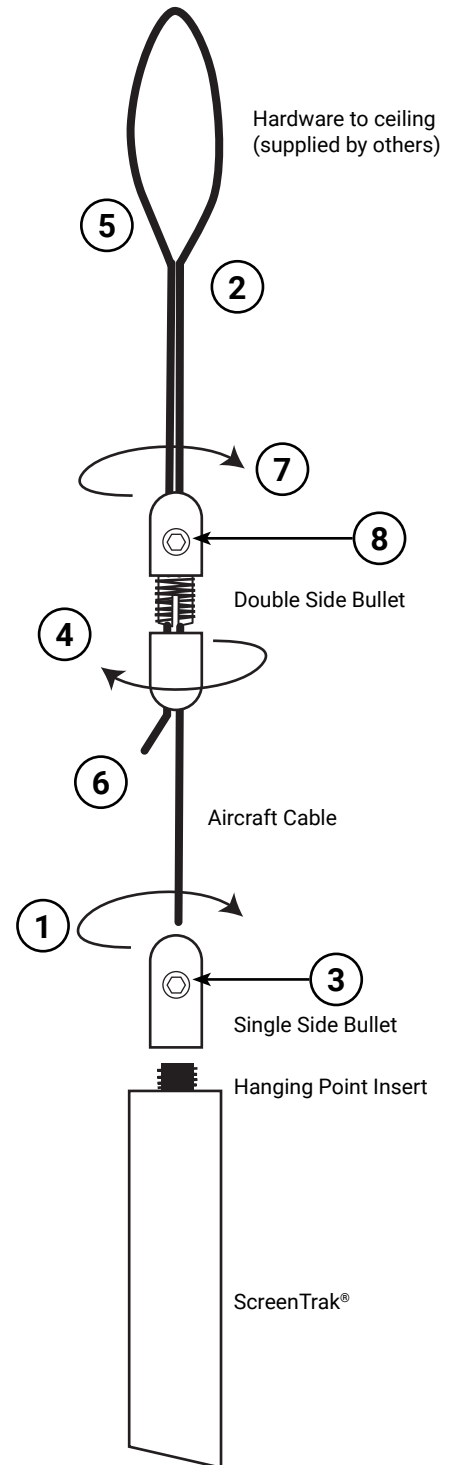


OR



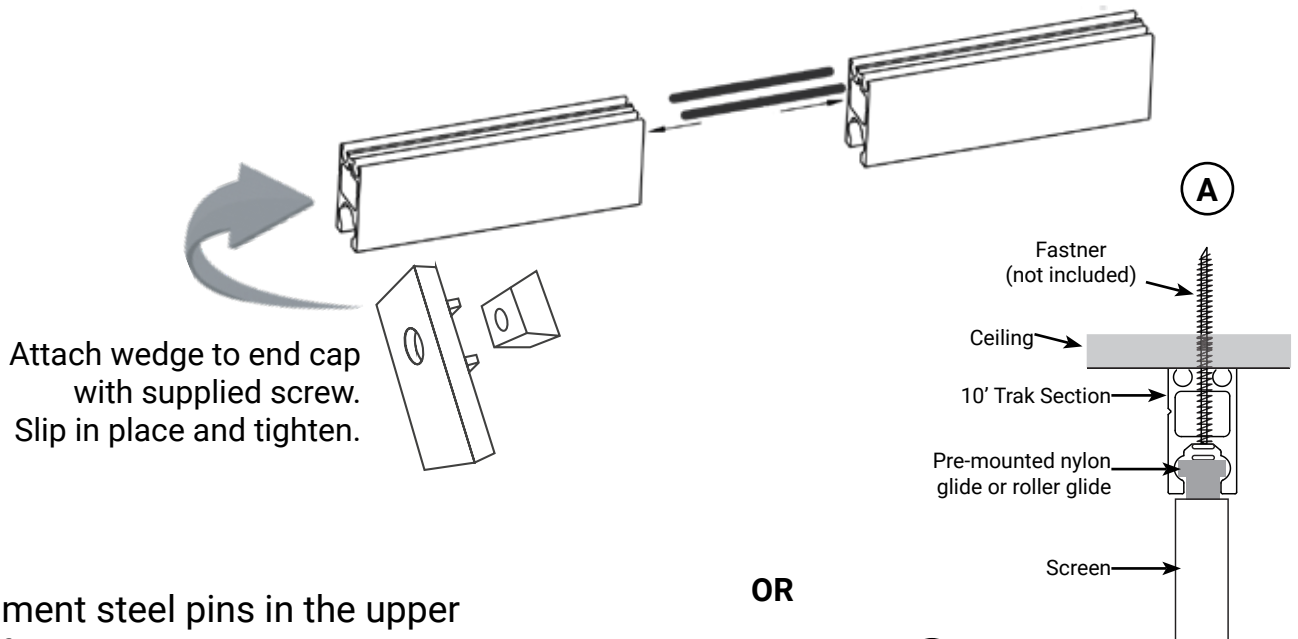
# ScreenTrak® - Installation Instructions

1. Screw Single Side Bullet into the Hanging Point insert until snug.
2. Determine the correct length of aircraft cable and cut the cable.
3. Insert the cable into the top of the Single Side Bullet and tighten the set screw with provided Allen Wrench.
4. Unscrew the Double Side Bullet so the clamps are loose enough to receive two strands of cable.
5. Loop the wire to the ceiling mount and back through the Double Side Bullet.
6. Adjust the wire so that the ScreenTrak® is at the correct hanging height.
7. Tighten the Double Side Bullet as tight as possible by hand.
8. Finally, tighten the set screw in the Double Side Bullet using the provided Allen Wrench.



# ScreenTrak® - Installation Instructions

Mount to ceiling, beams, joists, partitions, etc.  
(Fasteners to be supplied by installer)



Use alignment steel pins in the upper portion of the extrusion.

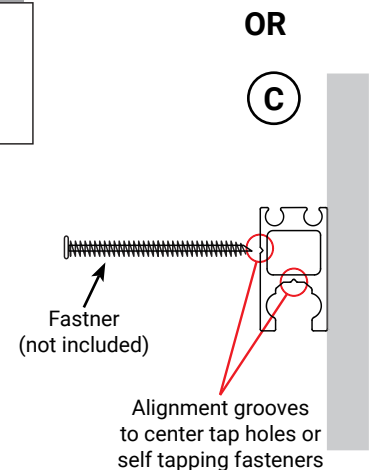
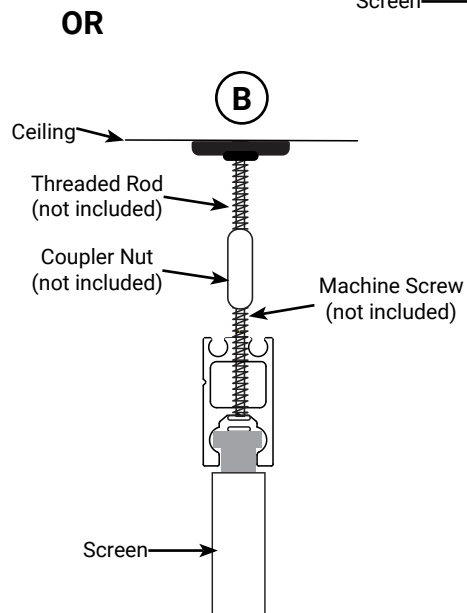
Both ends of the extrusion need to be supported when installing.

Locate, position, and install first section of the Trak.

Insert alignment pins and position / install the next section of Trak.

If Traks run from wall to wall, the last Trak will need to be cut 4" short of total length to allow the last Trak to be aligned on pins.

If wall to wall, slide the screens onto Trak prior to last section being installed.



# ScreenTrak® Alto - Care

**\*Solid Color Core material is intended for interior use only\***

## **TO CLEAN:**

Solid Color Core is color fast and not susceptible to fading, except in prolonged direct unfiltered sunlight.

For surface soil and dust the panels may be vacuumed, or brushed with a soft nylon cleaning brush.

For paint, oils, or grease several common solvent based removers work well on the Solid Color Core material, but not on any PRINT added to the panels.

Be sure to test in an inconspicuous place.

An iron set on a cool to medium setting may be used to restore the finish of the Solid Color Core material if abraded during cleaning.

Be sure to test in an inconspicuous place.

## **TO DISINFECT:**

The Solid Color Core material and PRINT can be lightly sprayed with most bleach or alcohol-based disinfectants and generally most other commercial disinfectants.

Be sure to test in an inconspicuous place.

## **PLEASE NOTE:**

OVERUSE OR OVERSATURATION MAY CAUSE DETERIORATION OVER LONG PERIODS OF TIME.

# ScreenTrak® Bass - Care

**\*Ecoustic® Screen Panel material is intended for interior use only\***

## **Regular Care:**

- Protect from direct heat and sunlight
- To prevent dust build up, lightly dust with a soft cloth or vacuum with a soft brush attachment.

## **Spot Cleaning:**

- Professional cleaning is always recommended.
- Always test any cleaning products on an inconspicuous area prior to commencing cleaning.
- Blot any excess spills from the material with a dry clean sponge or cloth.
- Treat all stains and spills as soon as possible.
- Most marks can be spot cleaned by lightly wetting the affected area with a mild detergent and warm water solution.
- Do not saturate the screen.
- Do not scrub or abrade the fabric face as this will affect the surface finish.
- Once the stain or mark has been loosened then blot the excess solution out with a dry clean cloth.
- Sponge afterwards with clean warm water and mop any excess moisture with a dry clean sponge or cloth.
- The fabric face can also be spot cleaned with dry cleaning fluid. Lightly sponge a small amount of dry cleaning fluid and blot.
- Dry away from direct heat and sunlight
- Avoid the use of carpet shampoos.

## **PLEASE NOTE:**

CONSIDERATION MUST BE GIVEN TO ANY POSSIBLE EFFECT OF THE CLEANING REGIME ON THE UNDERLYING GLUE OR BACKING BOARD. IT IS RECOMMENDED THAT SPOT CLEANING ONLY IS USED AND THAT IT IS CARRIED OUT BY A PROFESSIONAL CLEANER.