

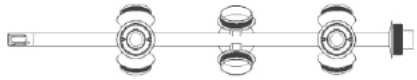
Holly Installation + Care



unika vaev
abstracta

Holly Vertical Assembly

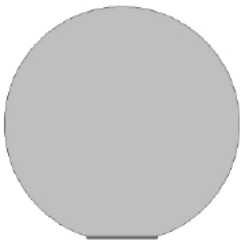
Components Included:



Holly armature (1x)



Glass Globe (4x)



Acoustic Globe(6x)



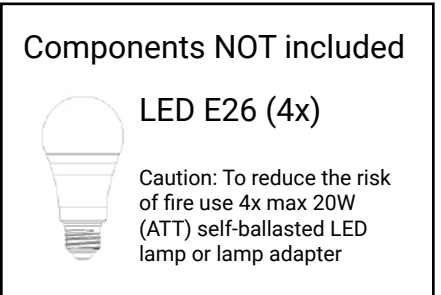
Roof Bracket (1x)



Ceiling Bracket (1x)
[T24 profile]

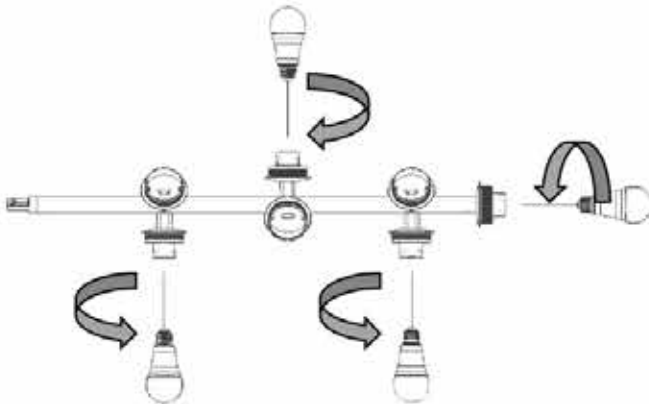


Screw M4 (1x)

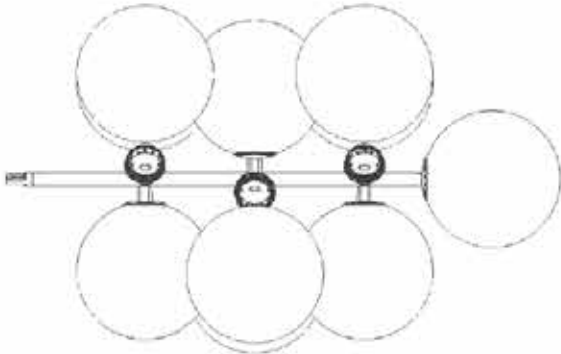


Holly Vertical Assembly

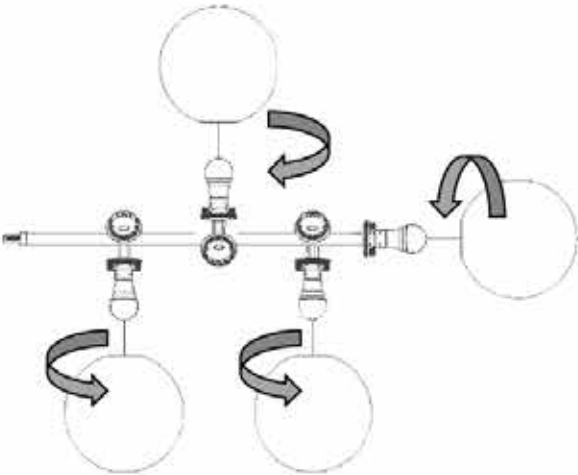
1.



3.



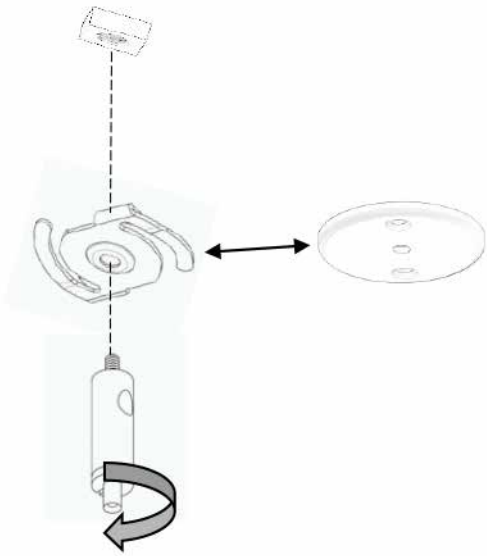
2.



4.

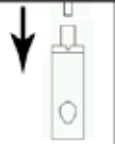


5.

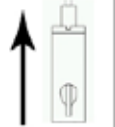


6.

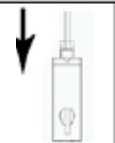
A. Insert the wire into the gripper. Always insert the wire through the pin unless otherwise stated.



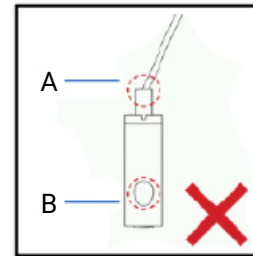
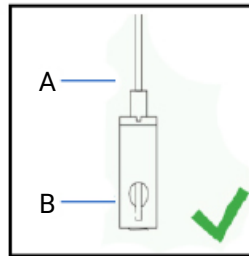
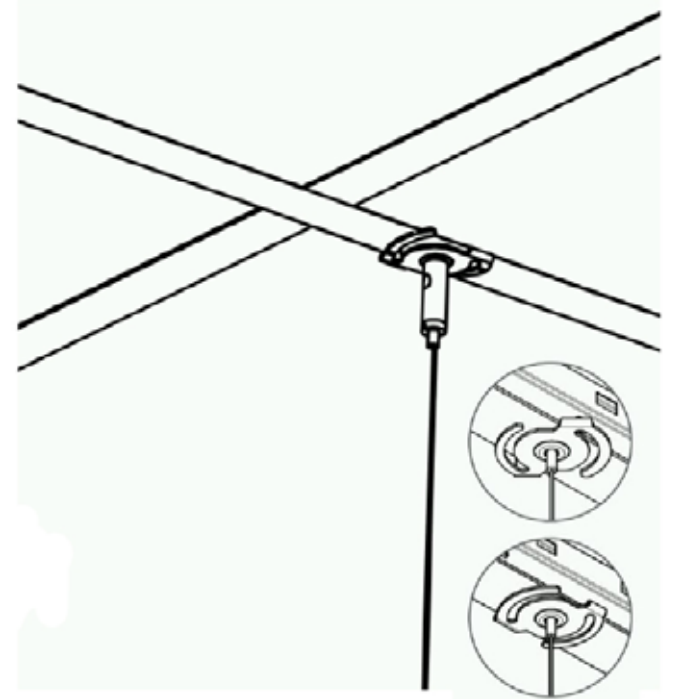
B. Adjust the gripper up. When you let go of the gripper it will automatically lock itself on the wire.



C. Press the pin and adjust down. When you press the pin the lock opens and the gripper slides up and down on the wire. Release the pin to lock the gripper again.



7.



A. Direction of wire and gripper must be in a straight line

B. The wire must be inserted all the way through the gripper and protrude at least .2" from bottom.

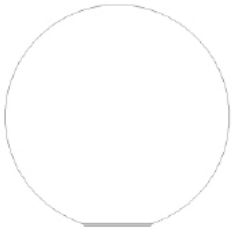


Holly Horizontal Assembly

Components Included:



Holly armature (1x)



Glass Globe (4x)



Acoustic Globe (8x)



Roof Bracket (2x)



Ceiling Bracket (2x)
[T24 profile]



Screw M4 (2x)



Only 120V input

Components NOT included

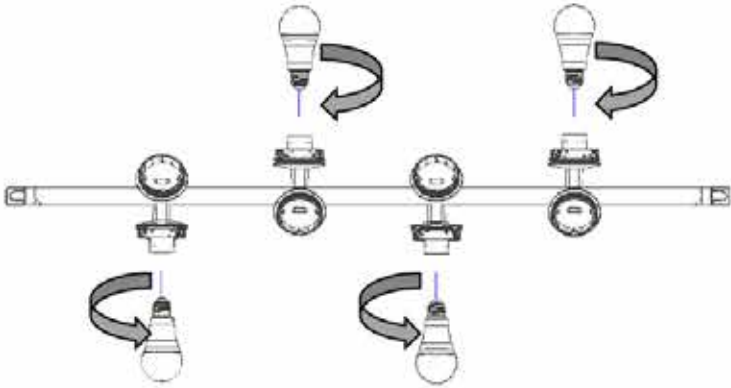


LED E26 (4x)

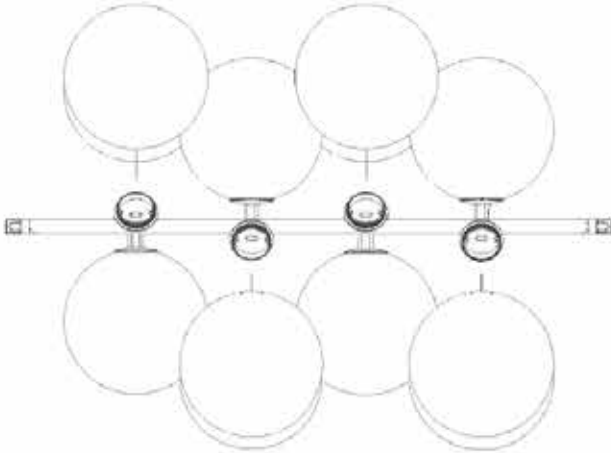
Caution: To reduce the risk of fire use 4x max 20W (ATT) self-ballasted LED lamp or lamp adapter

Holly Horizontal Assembly

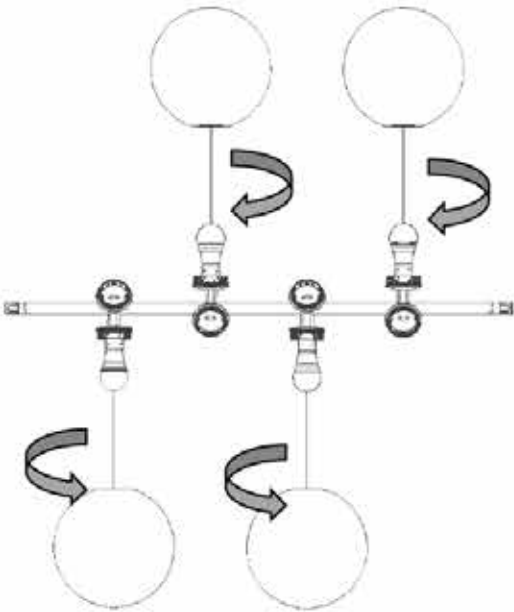
1.



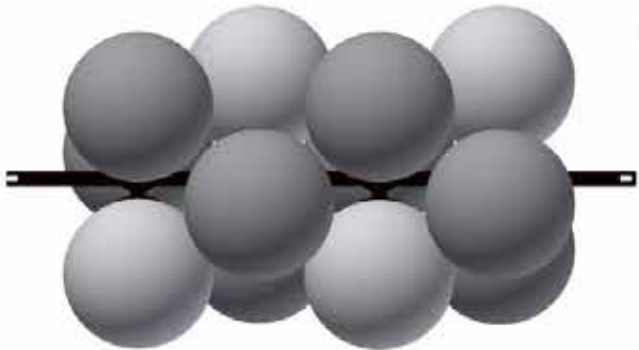
3.



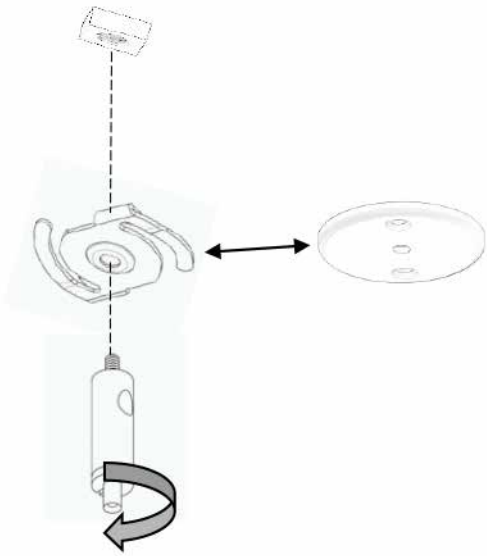
2.



4.

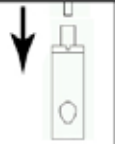


5.

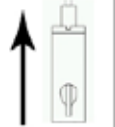


6.

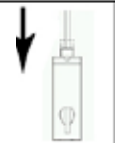
A. Insert the wire into the gripper. Always insert the wire through the pin unless otherwise stated.



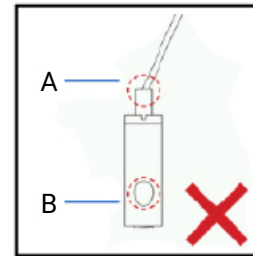
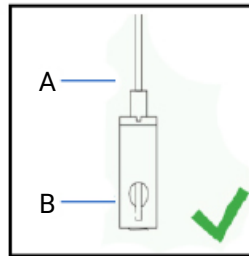
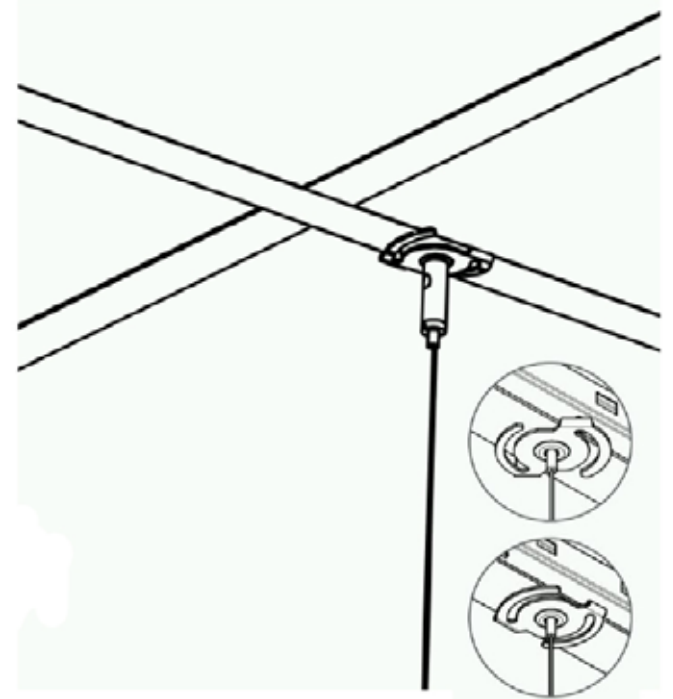
B. Adjust the gripper up. When you let go of the gripper it will automatically lock itself on the wire.



C. Press the pin and adjust down. When you press the pin the lock opens and the gripper slides up and down on the wire. Release the pin to lock the gripper again.



7.



A. Direction of wire and gripper must be in a straight line

B. The wire must be inserted all the way through the gripper and protrude at least .2" from bottom.



Holly Care Instructions

To maintain the color and appearance of the Holly units we recommend regularly vacuuming the globes with a soft brush nozzle.

To remove stains, gently dab or wipe the globes with a damp cloth.



holly-install-v2

unika vaev
abstracta