

LIGHT BEAM



unika vaev
design studio

Hear yourself think®

LIGHT BEAM COLORS



DARK BLUE



DARK GREY



DARKEST GREY



GREEN



LIGHT BLUE



LIGHT BROWN



LIGHT GREY



LIGHTEST GREY



MEDIUM GREY



RED



YELLOW



ASH



BARNWOOD



CHERRY



EBONY



OAK



PADOUK



PECAN



WALNUT

Patterns shown are not to scale
Product may vary in color due to the nature of the media
Please refer to website for current color range

unika vaev
design studio

LIGHT BEAM

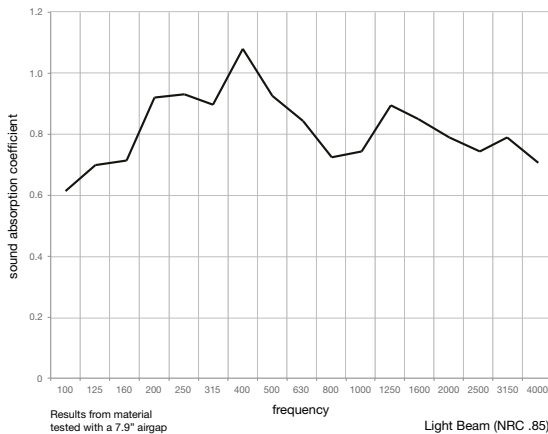


CONTENT 100% PET

THICKNESS 0.47" (12mm)

DIMENSIONS Narrow: 48" x 4" x 7.25" (L x W x H)
Wide: 48" x 5.5" x 6.5" (L x W x H)

FLAMMABILITY
ASTM E84 Class A
CAN ULCS102



ACOUSTIC NRC: 0.85 (with 7.9" air-gap)

APPLICATION Ceiling

DESCRIPTION Light Beam is an elegant rectilinear box baffle tailored with inset LED lighting. Light Beam fits beautifully in both small and large spaces. Easily ganged together to solve larger space needs, Light Beam is available in 11 color-ways of Solid Core, and 8 wood grain print finishes.

Installation: Light Beam is suspended easily as a baffle from the ceiling with a wire, cable, or rod. Mounting Light Beam directly to the ceiling must be done with fasteners into blocking. Please note that mounting hardware is not included.

Lighting: Light Beam is available as an Uplight, Downlight, or as a combination Up + Downlight. LED information may be found on page 5.

Designed for the Environment: Easy to disassemble and separate into the appropriate recycling systems, Light Beam is made of 100% PET and can be recycled.

- No VOCs
- California 01350 Emissions Compliant
- HPD
- Prop 65 Compliant
- Rapidly renewable content
- No post-consumer content contributes to LEED MR Credit 4 recycled content
- Published with mindful MATERIALS

Please Note:

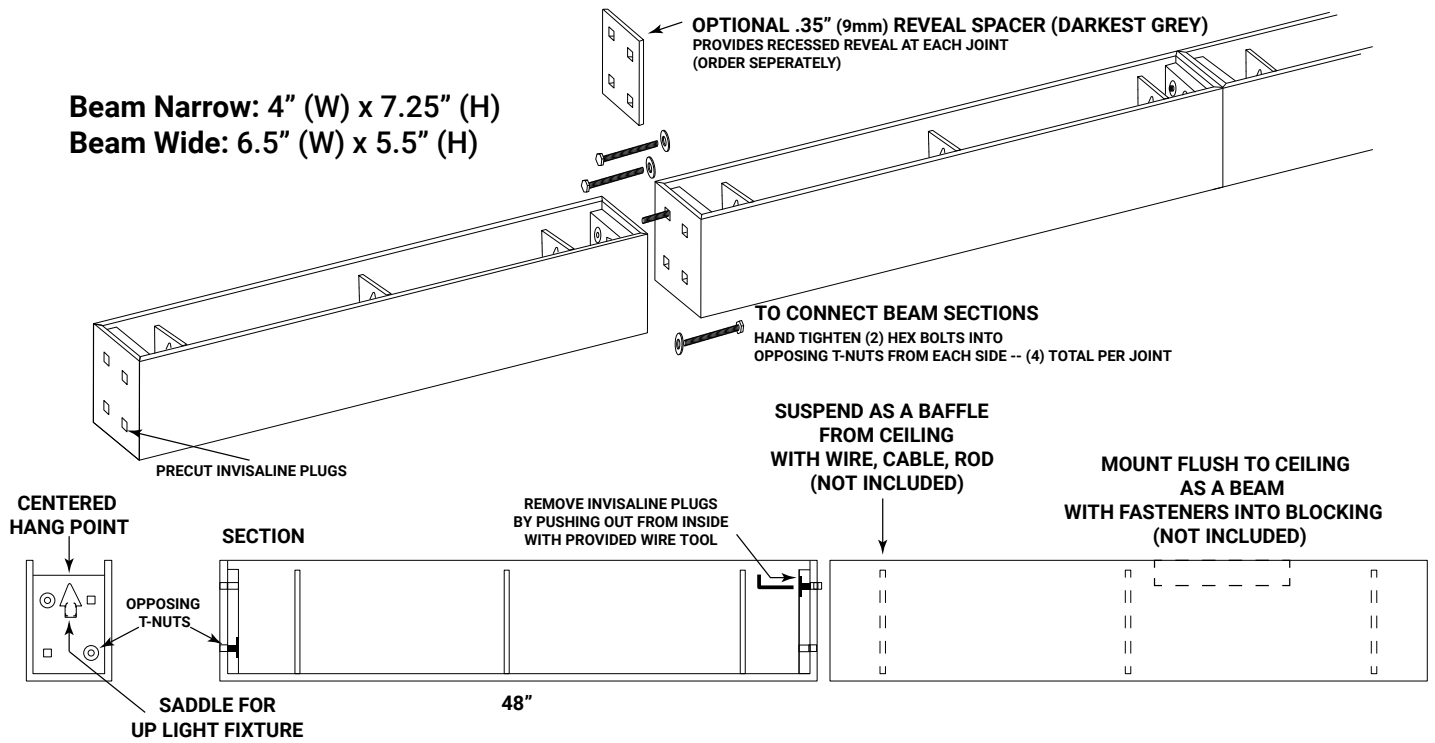
- Light Beam is sold in a kit format with different combinations of baffle sections, connectors, and end caps depending on size. Please refer to the following page for the breakdown of kit quantities.
- Light Beam is also available as a regular, non-lighted baffle, Beam.
- NRC results are based upon 0.47" SC panels tested with a 7.87" airgap.
- The final NRC rating will vary dependent upon the shape, size, spacing, and air-gap of the product. The NRC rating is intended to be a general guideline only.



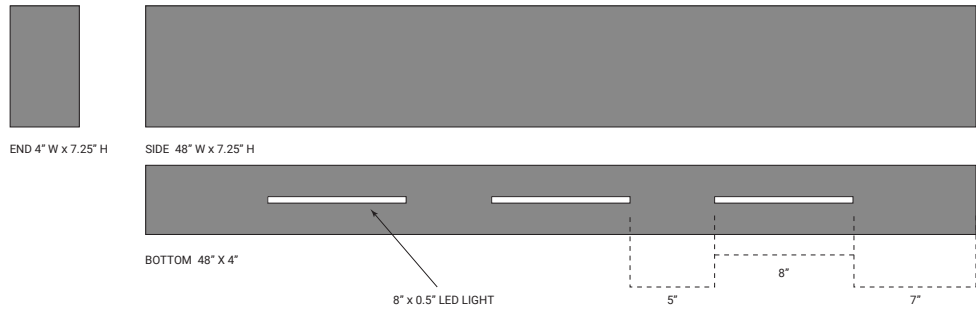
unika vaev
design studio

LIGHT BEAM KIT BREAKDOWN

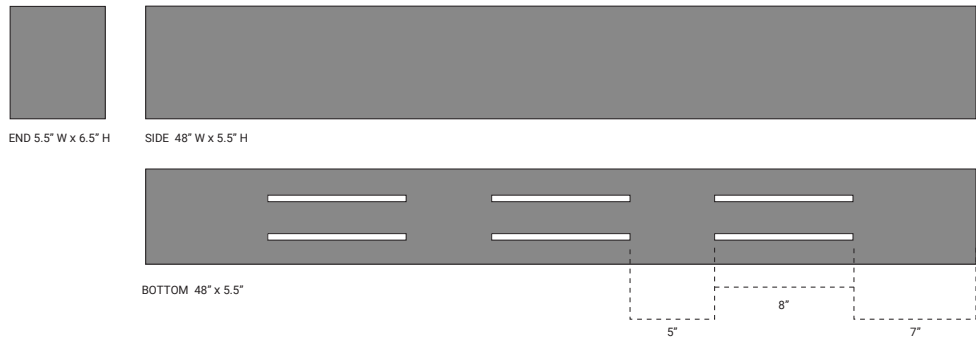
Light Beam Narrow 48" - Kit of [4] sections, [3] connectors, and [8] end caps
 Light Beam Wide 48" - Kit of [4] sections, [3] connectors, and [8] end caps



NARROW LIGHT BEAM



WIDE LIGHT BEAM



LIGHT BEAM LED INFORMATION

Light Beam Model	Units / Kit	LEDs / Kit	Color Temp	LED Unit Description	Watts / Unit	Max Watt / Run	CRI	Efficacy	Life	120 Vac Driver Daisy Chainable 79" plug in power cord	LED Power Cord per Kit	Connecting Cords per Kit
Narrow downlight	4	12	3000K or 4100K	3/8" x 12" aluminum housing w/ frosted plexi cover	3W	60W or 28' / driver	>80	50lm / W	50K Hours	(1) 24Vdc - 75W	(1) 96" White	(3) 23" white
Narrow uplight	4	4	3000K or 4000K	3/4" x 3/4" x 45" white metal housing / frosted lens	20.5W	500W	>80	139lm / W	50K Hours	Integrated driver Line voltage	(1) 72" White	(3) 24" white
Narrow down/uplight	4	12/4	Combination of above									
Wide downlight	4	24	3000K or 4100K	3/8" x 12" aluminum housing w/ frosted plexi cover	3W	60W or 28' / driver	>80	50lm / W	50K Hours	(1) 24Vdc - 75W	(1) 96" White	(3) 23" white
Wide uplight	4	4	3000K or 4000K	3/4" x 3/4" x 45" white metal housing / frosted lens	20.5W	500W	>80	139lm / W	50K Hours	Integrated driver Line voltage	(1) 72" White	(3) 24" white
Wide down/uplight	4	24/4	Combination of above									

Certifications

Narrow downlight: UL, ETL, NSF/ANSI 2
 Narrow uplight: UL, DLC
 Narrow up/downlight: UL, ETL, NSF/ANSI 2, UL, DLC

Certifications

Wide downlight: UL, ETL, NSF/ANSI 2
 Wide uplight: UL, DLC
 Wide up/downlight: UL, ETL, NSF/ANSI 2, UL, DLC